

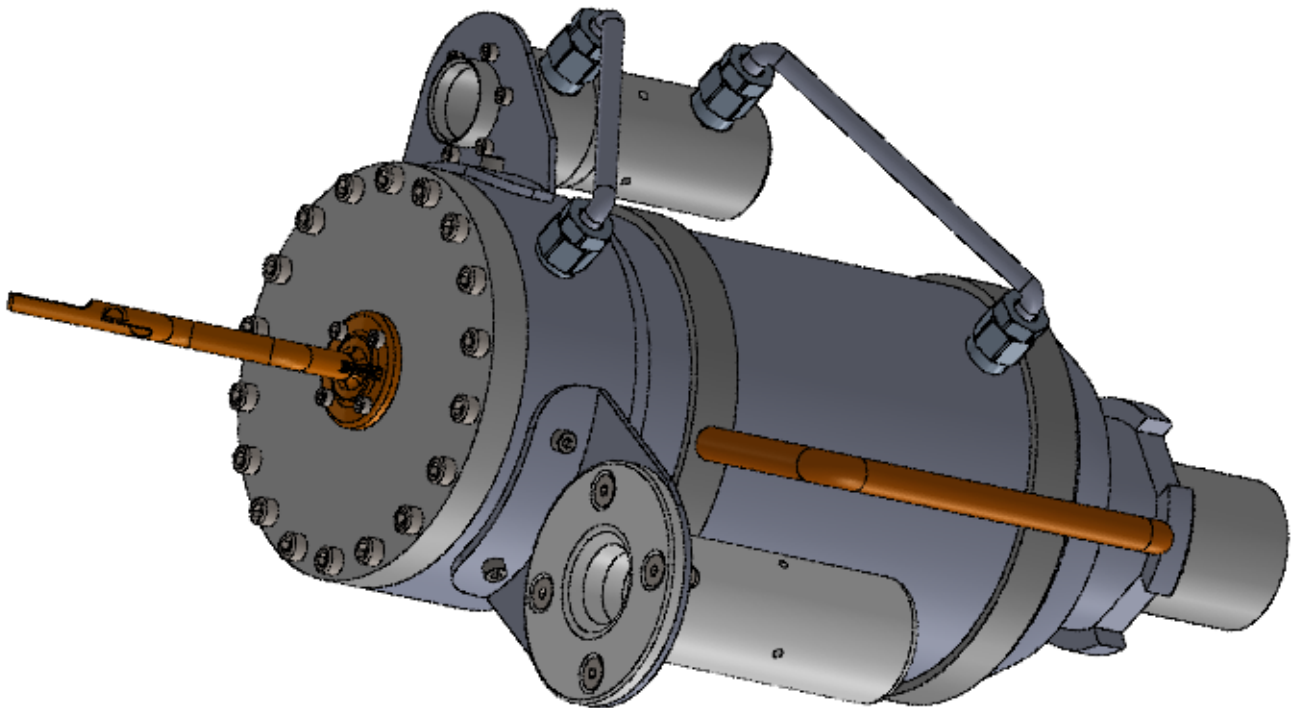
Designed for use subsea, and remote operated through ROV.

Description:

The Linear Actuator get activated with hydraulic pressure. When hydraulic pressure drop to 0, the spring get activated and push the piston back to starting positions.

The Linear Actuator can push the piston out with 83 ton pull force (185000 lbf).

The interface is standard Type A HLAOT Interface according to ISO 13628-8



Specification:

Fail safe: Retracted

Max hydraulic pressure 207 bar

ISO standard: 13628-8 Type A

Max water dept: 3000 msw

Weight in air / water: 90/65Kg

Dimensions LxHxW: 782x250x450 mm

Dimensions piston: Ø 89,92mm

Depro drawing: DEP-GA-0213