

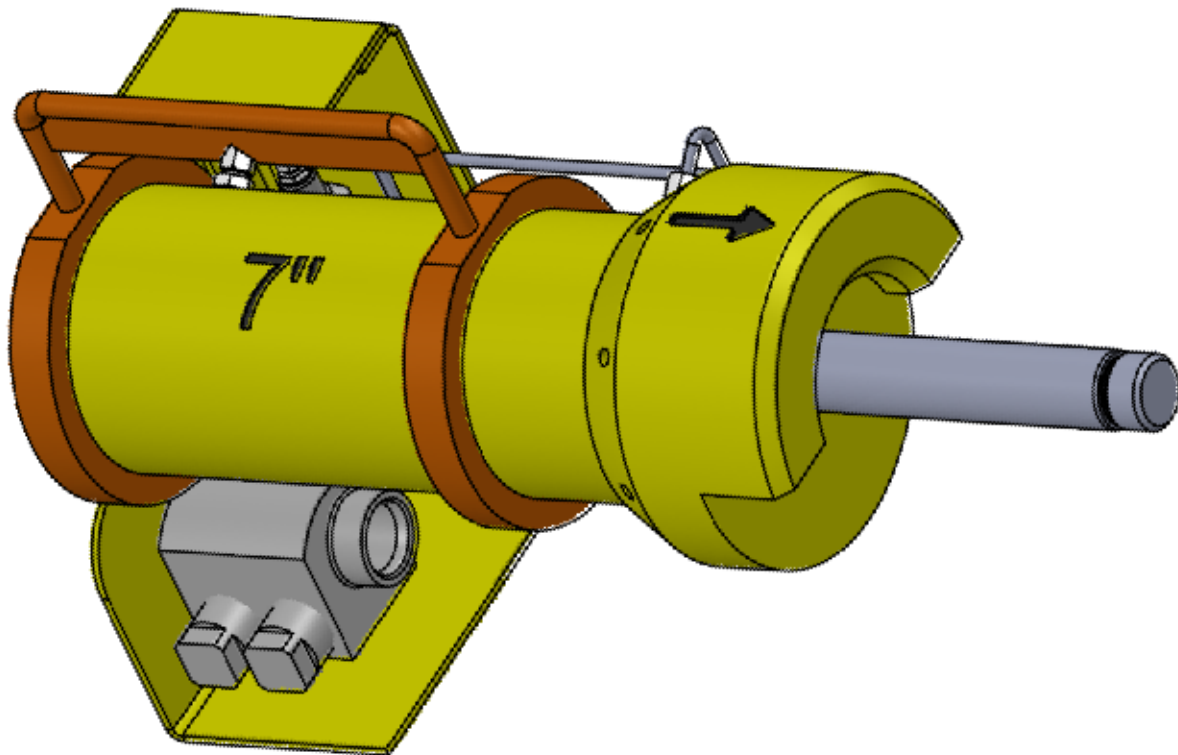
Designed for use subsea, and remote operated through ROV.

Description:

The Linear Actuator can push the piston out with 83 ton pull force (185000 lbf).

The interface is standard Type B LAOT Interface according to ISO 13628-8.

Actuator body is the same for 7", 5" and 2" valve, the difference is the stroke length on the piston.



Specification:

Valve size:	7"	5"	2"
Depro drawing:	DEP-GA-0489	DEP-GA-0545	DEP-GA-0490
Maximum piston length:	275,88mm		170,88mm

Pull force: 83 ton (185000 lbf)

Dimensions piston: Ø 50mm

Minimum piston length: 0mm

ISO standard: 13628-8 Type B

Max water dept: 3000 msw

Weight in air / water: 37/xxKg

Dimensions LxHxW: 606x448x305mm