

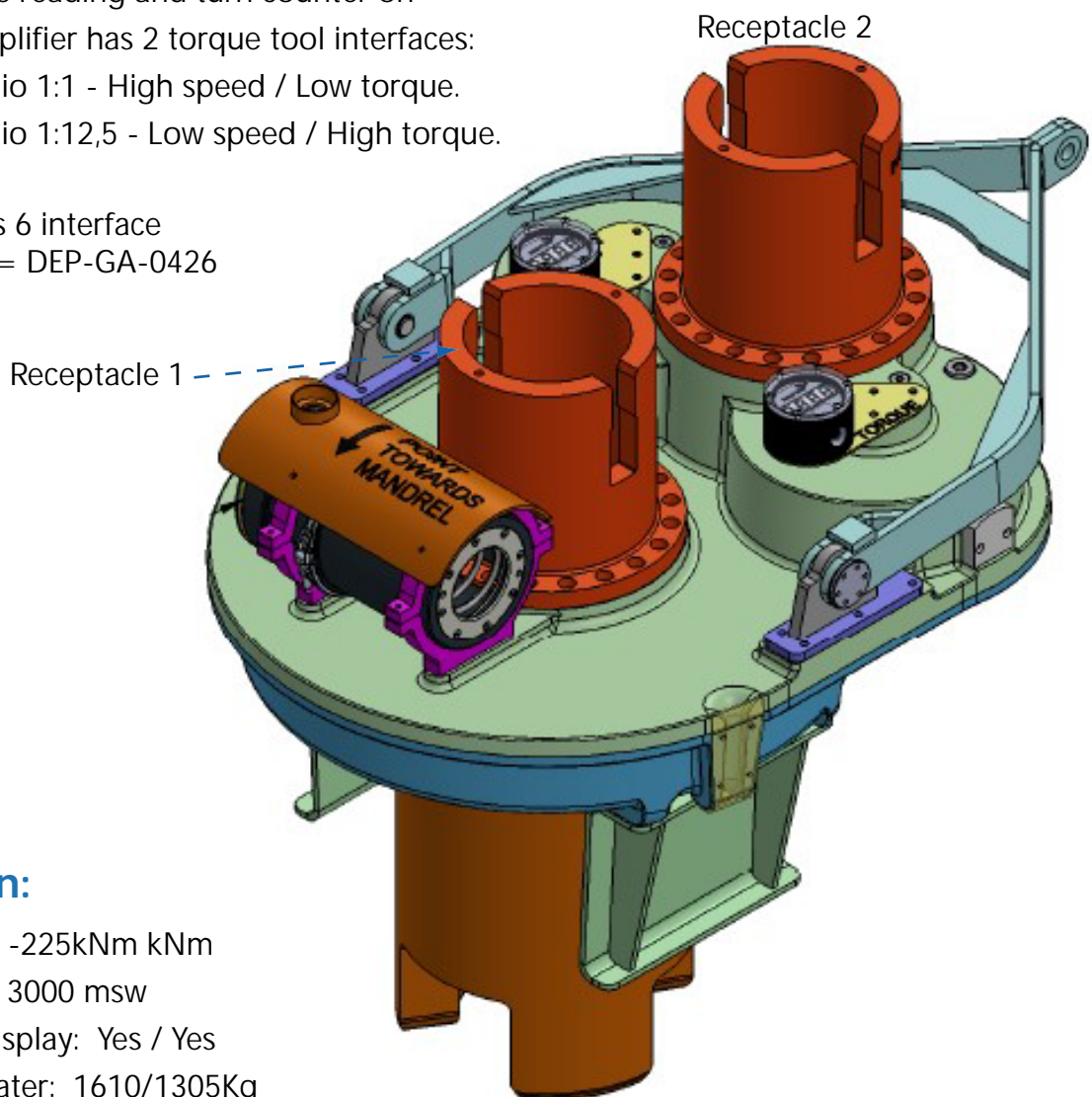
**Designed for use subsea, powered with Cl.6 torque tool, and remote operated through ROV.**

### Description:

Amplify torque from Torque Tool with output rating to 18,5 kNm.

This gives an output torque of 225kNm. Tool have integrated torque reading and turn counter on output stem. Amplifier has 2 torque tool interfaces:  
 Receptacle 1: Ratio 1:1 - High speed / Low torque.  
 Receptacle 2: Ratio 1:12,5 - Low speed / High torque.

Torque Tool Class 6 interface  
 Torque Tool Cl.6 = DEP-GA-0426



### Specification:

Torque range: 0 -225kNm kNm  
 Max water dept: 3000 msw  
 Torque / Turns display: Yes / Yes  
 Weight in air / water: 1610/1305Kg  
 Dimensions LxHxW: 1571x1353x987 mm  
 Interface output: To be defined  
 Depro drawing: DEP-GA-0143