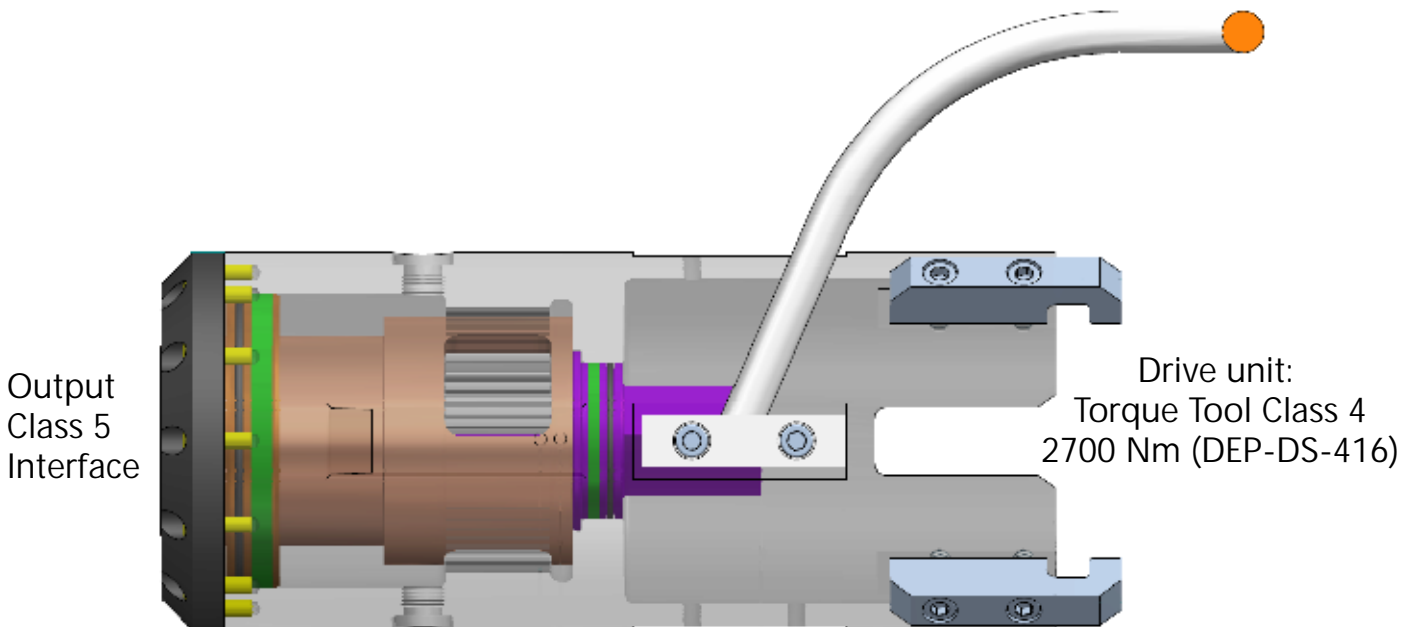


Designed for use subsea, and remote operated through ROV.

Description:

Transfer the energy from a standard Class 4 Torque Tool with 2700 Nm torque through gear system which gives up to 9000 Nm torque onto the stem.



Specification:

Standards: ISO 13628-8, API 17D

Torque max: 9000 Nm.

Ratio: 1:3,222

Weight in air / water: 48/41Kg.

Max water dept: 3000 m

Dimensions LxHxW: 526x295x250 mm.

Nose Ø180 mm x 191 mm.

Depro Drawing: DEP-GA-0102

Tools designed for submersion over long periods on request.

Tool adapters, verification units, control systems etc. see specific datasheets.