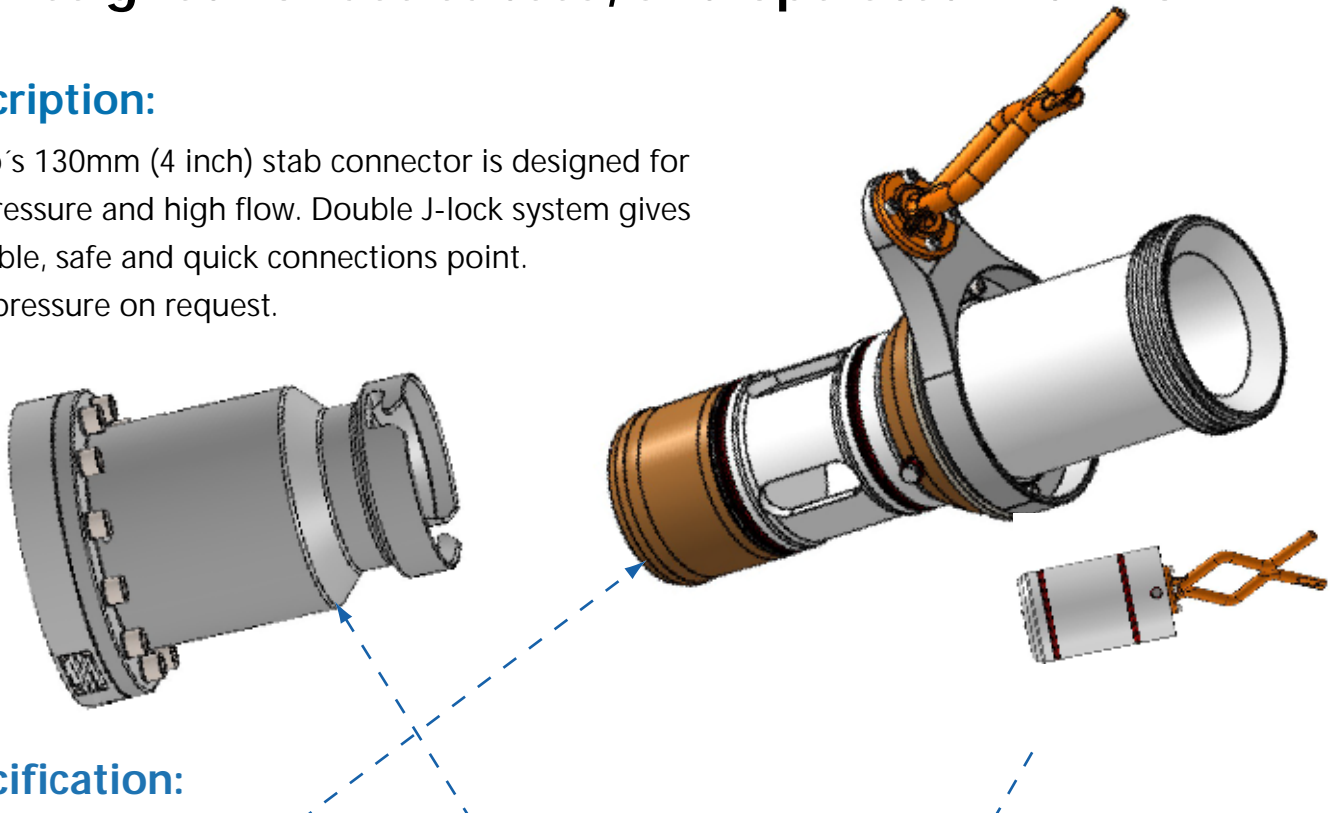


Designed for use subsea, and operated with ROV.

Description:

Depro's 130mm (4 inch) stab connector is designed for low pressure and high flow. Double J-lock system gives a flexible, safe and quick connections point. High pressure on request.



Specification:

| | Large-Bore-Stab | Receptacle | Pressure-Stab | Protection-Stab | Parking-Receptacle |
|------------------------|--------------------|--------------------|--------------------|-----------------|--------------------|
| Depro drawing: | DEP-GA-0457 | DEP-GA-0456 | DEP-GA-0540 | DEP-GA-0473 | DEP-GA-0541 |
| Diameter stab: | 99,8mm | N/A | 99,8mm | 99,8mm | N/A |
| Max pressure: | 7 bar | 7 bar | 7 bar | N/A | N/A |
| Connection: | 4" - 1502 | TBC | N/A | N/A | N/A |
| Temperatur Min/max: | 3 - 30 dgC | 3 - 30 dgC | 3 - 30 dgC | 3 - 30 dgC | 3 - 30 dgC |
| Material body: | Stainless Steel316 | Stainless Steel316 | Stainless Steel316 | POM | POM |
| Seal material: | PUR/NBR70 | N/A | PUR/NBR70 | N/A | N/A |
| Max water dept: | 3000 msw | 3000 msw | 3000 msw | 3000 msw | 3000 msw |
| Weight in air: | 24 Kg | 47 Kg | 25 Kg | 5 Kg | 5 Kg |
| Dimensions LxØ (Body): | 296x130mm | 365x280mm | 296x130mm | 296x130mm | xxxmm |

Different configuration and setup available based on fluid, flow, working pressure, and interface (flow connections).