

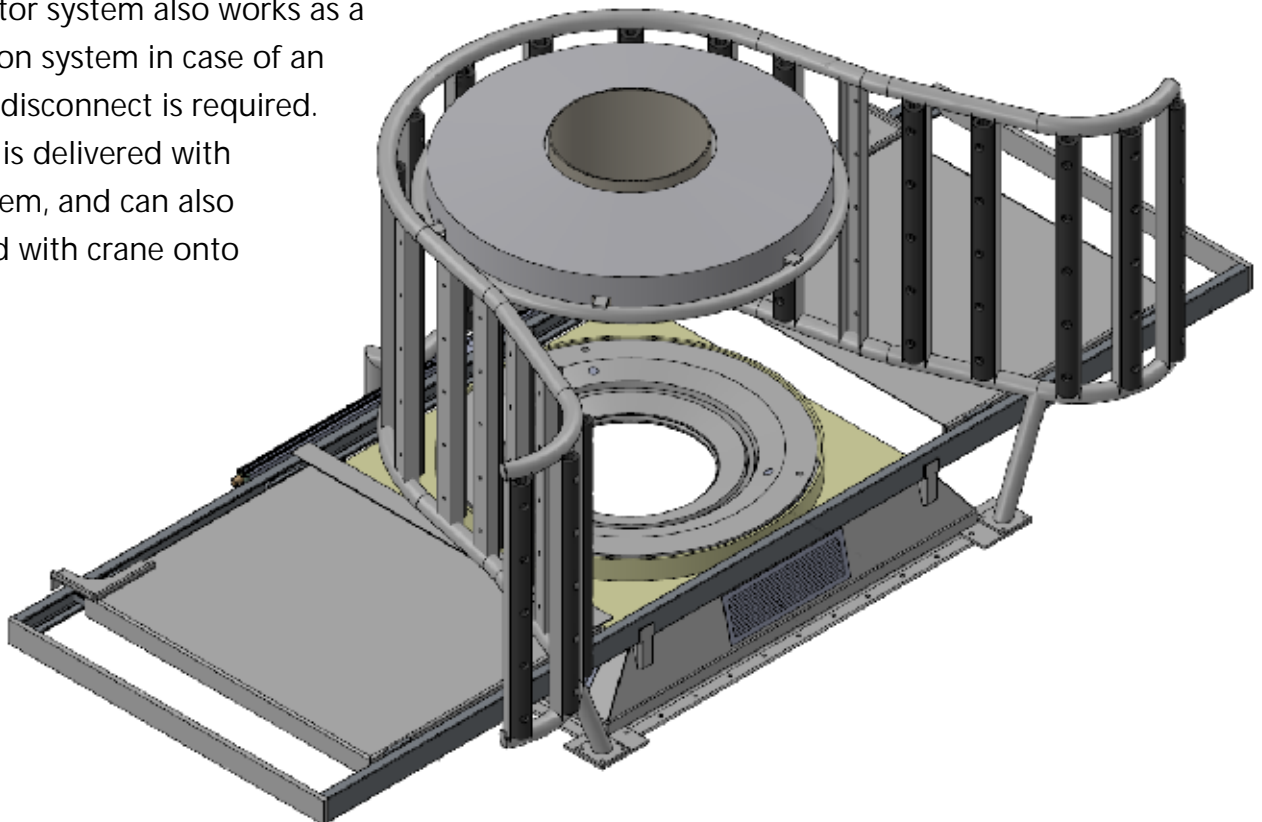
Designed for fish food transmission, included weak link

Description Magnetic Connector:

The system is developed to get a smart transportation system for fish food pellets from a vessel to fish farm offshore. The connector female plate is installed at the fish farm, and include electrical adjustable magnet to connect the male and female plate. The magnet also centralizes the male plate to secure full flow through the connector.

The connector system also works as a disconnection system in case of an emergency disconnect is required.

The system is delivered with control system, and can also be delivered with crane onto the vessel.



Specification:

Free flow diameter: 450mm
Diameter magnetic connector: 1440mm
Weight: 1240 Kg
Dimensions LxDxH: 4040x1372x1462 mm
Depro drawing: DEP-GA-0326