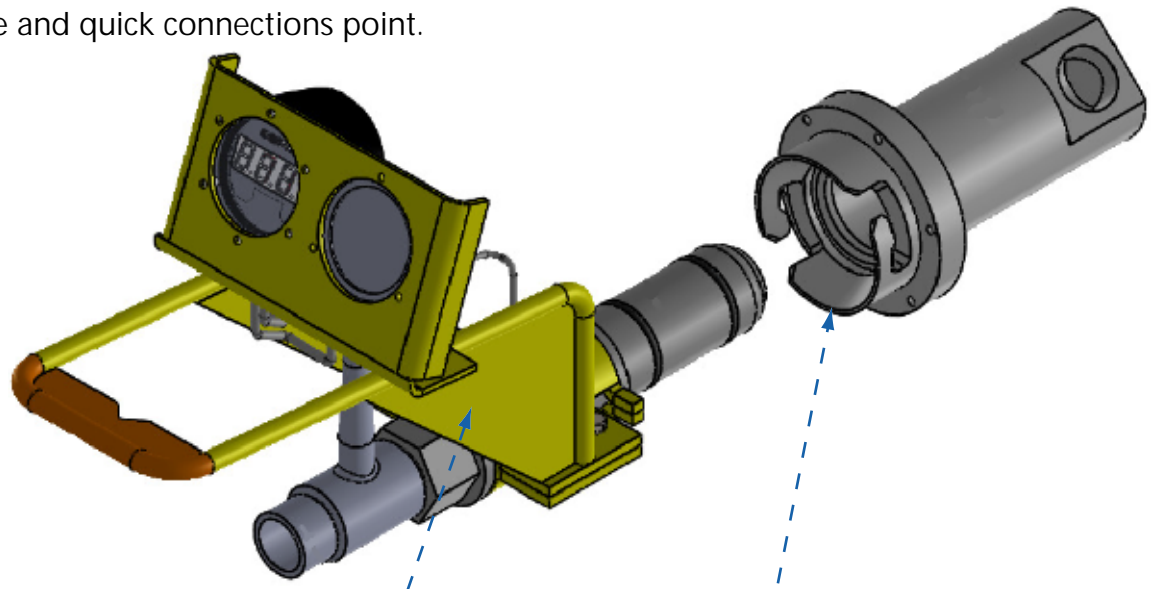


Designed for use subsea, and operated with ROV.

Description:

Depro's 70mm (2 inch) stab connector with integrated flowmeter and pressure drop gauge is designed for 8 bars internal pressure and high flow. Double J-lock system gives a flexible, safe and quick connections point.



Specification:

	Large-Bore-Stab-Panel	Receptacle
Depro drawing:	DEP-GA-0341	DEP-GA-0369
Standard:	ISO 10423 / API16A	ISO 10423 / API 6A
Diameter stab:	69,8mm	N/A
Max pressure:	8 bar	8 bar
Connection:	2" - BSP	TBD
Temperatur Min/max:	-20 - 50 dgC	-20 - 50 dgC
Material body:	AISI 316	1.4410-SuperDuplex
Seal material:	PUR/NBR70	N/A
Max water dept:	3000 m	3000 m
Weight in air:	27 Kg	21 Kg
Dimensions HxBxD:	486x300x886mm	Ø19

Different configuration and setup available based on fluid, flow, working pressure, and interface (flow connections).