

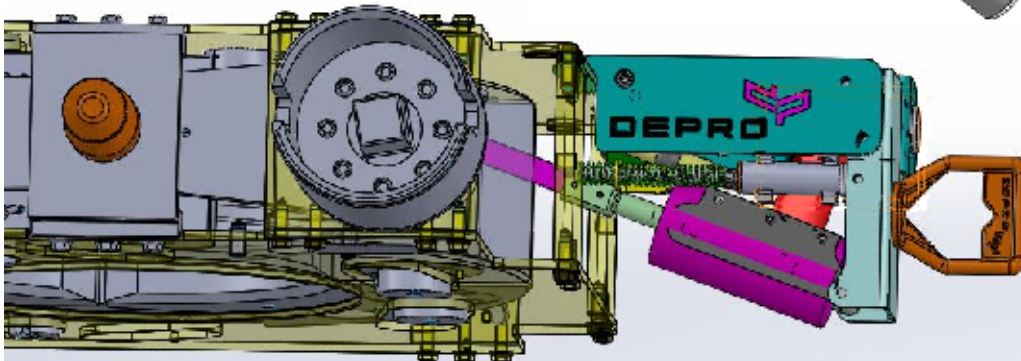
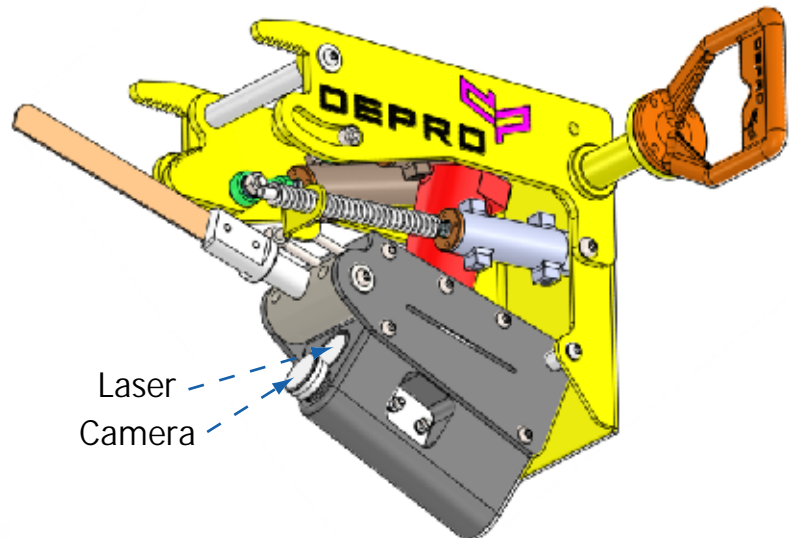
Designed for use subsea, and remote operated through ROV.

Description:

The bayonet saw is made to cut bolts or structure where access is limited.

With this tool, the sawblade size is the space needed to perform the cutting.

The tool can be equipped with laser and camera to get exact cutting point and visual control with the cutting process.



Specification:

Maximum cutting diameter: 60mm

Hydraulic pressure - flow: 207 bar - 18 l/min

Hydraulic interface: TBD

Weight cutter in air / water: 16 / 13,8 Kg

Max water dept: 3000m

Dimensions cutter LxHxW: 373x362x409 mm

Depro drawing bayonet saw: DEP-GA-0448