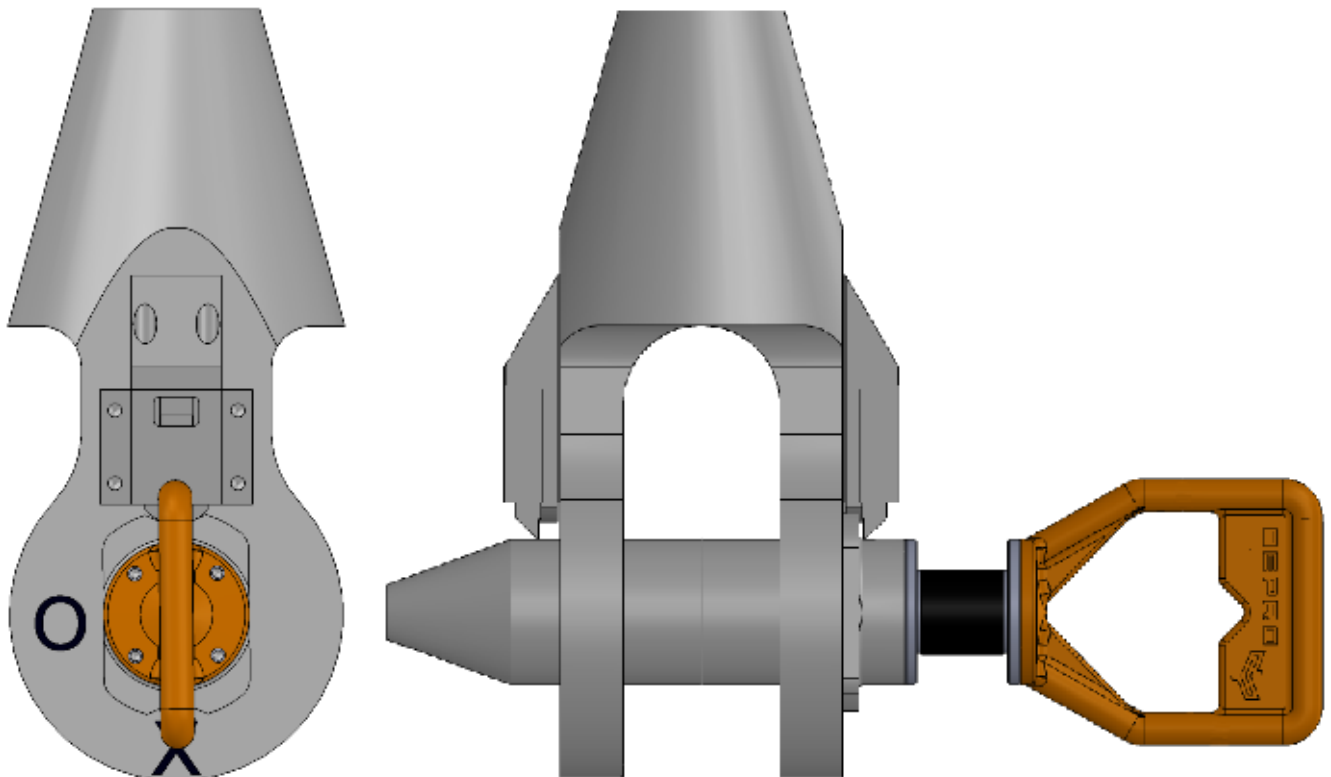


**Designed for lifting operations, and remote operated with ROV**

## Description:

This Quick Connection and Disconnection Spelter Socket is easy and safe to operate. The locking pin is made to be operated with ROV as well personnel and have a locking design where it is easy to stab and lock in one operation. The design secure safe lifting operations.



## Specification:

Max load WLL: 30T

Wire diameter: 37-39mm

Material: S165M/1.4418

Dimension main part HxW: 370x190mm

With with locking pin and ROV handle: 452mm

Depro drawing: DEP-GA-0193

Max load MBL: 150T

Shackle opening: 76mm

Weight in air: 32Kg

Safety factor: 5:1

Diameter locking pin: Ø70mm

Other Interfaces, dimensions and load alternatives available.