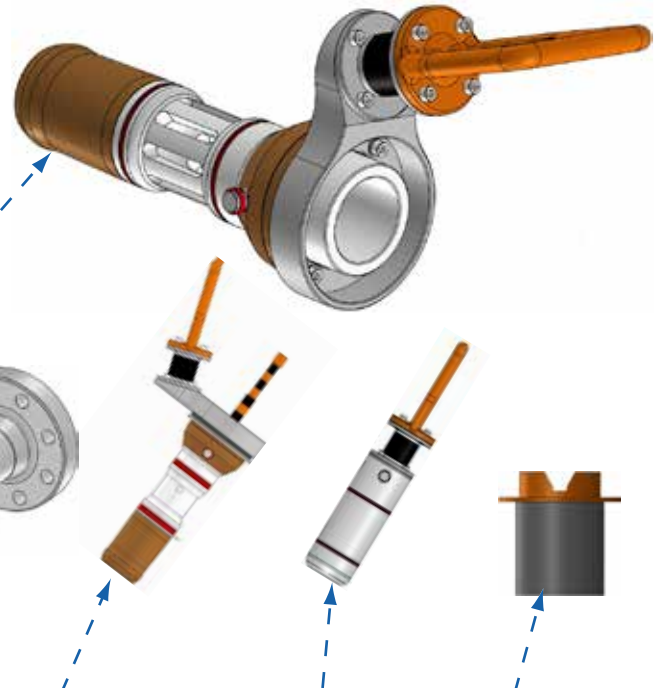


Designed for use subsea, and operated with ROV.

Description:

Depro's 70mm (2 inch) stab connector is designed for 690 bars pressure and high flow. Double J-lock system gives a flexible, safe and quick connections point. The pressure drop is below 5 bars with 2000l/m.



Specification:

Large-Bore-Stab Receptacle Pressure-Stab Protection-Stab Parking-Receptacle

Depro drawing:	DEP-GA-0341	DEP-GA-0369	DEP-GA-0370	DEP-GA-0342	DEP-GA-0365
Diameter stab:	69,8mm	N/A	69,8mm	69,8mm	N/A
Max pressure:	690 bar	690 bar	690 bar	0 bar	0 bar
Connection:	2" - BSPP	API 6A 6BX	N/A	N/A	N/A
Temperatur Min/max:	-20 - 50 dgC	-20 - 50 dgC	-20 - 50 dgC	0 - 50 dgC	0 - 50 dgC
Material body:	1.4410-SuperDuplex			POM	POM
Seal material:	PUR/NBR70	N/A	PUR/NBR70	N/A	
Max water dept:	3000 m	3000 m	3000 m	3000 m	3000 m
Weight in air:	8 Kg	25 Kg	11 Kg	3 Kg	3 Kg
Dimensions LxØ (Body):	266x69,8mm	266x69,8mm	266x69,8mm	266x69,8mm	166x165mm

Different configuration and setup available based on fluid, flow, working pressure, and interface (flow connections).